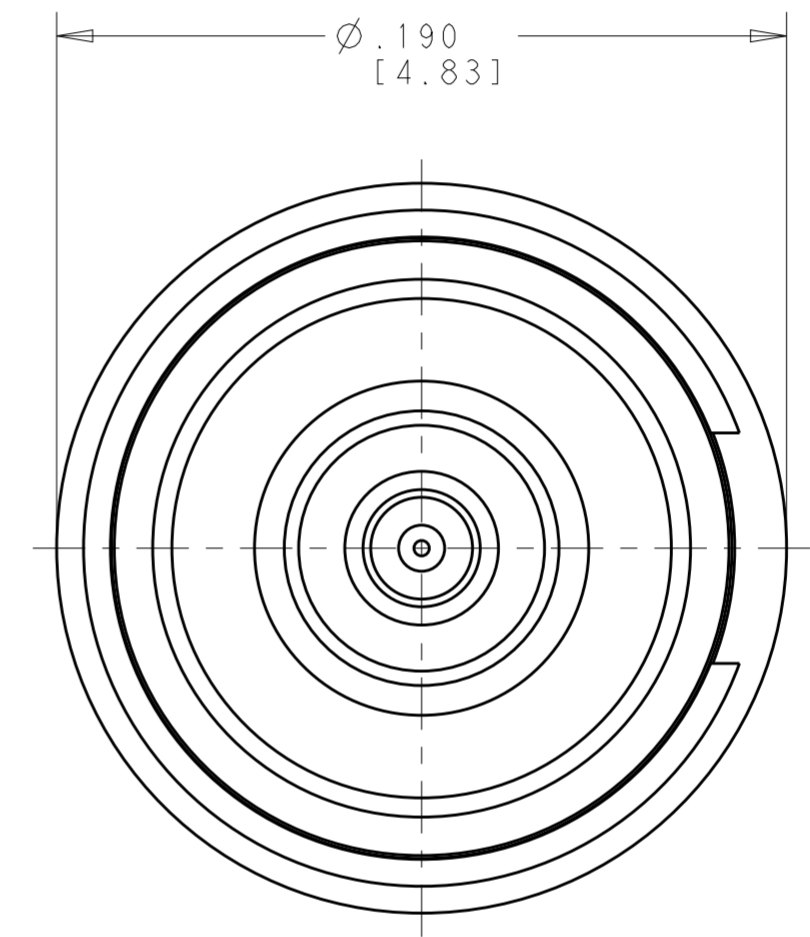
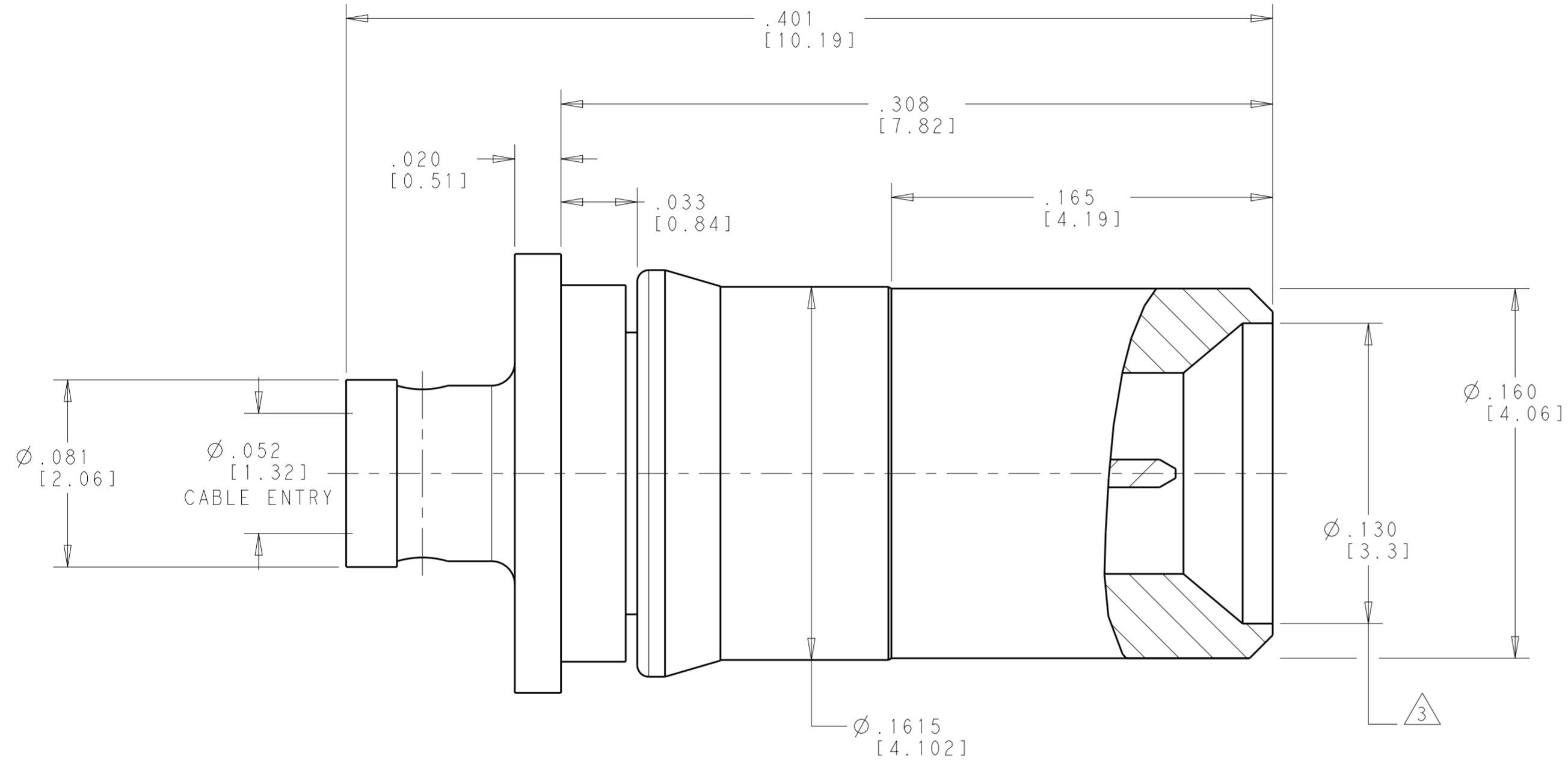


THIS DRAWING IS UNPUBLISHED. RELEASED FOR PUBLICATION  
 © COPYRIGHT - BY - ALL RIGHTS RESERVED.

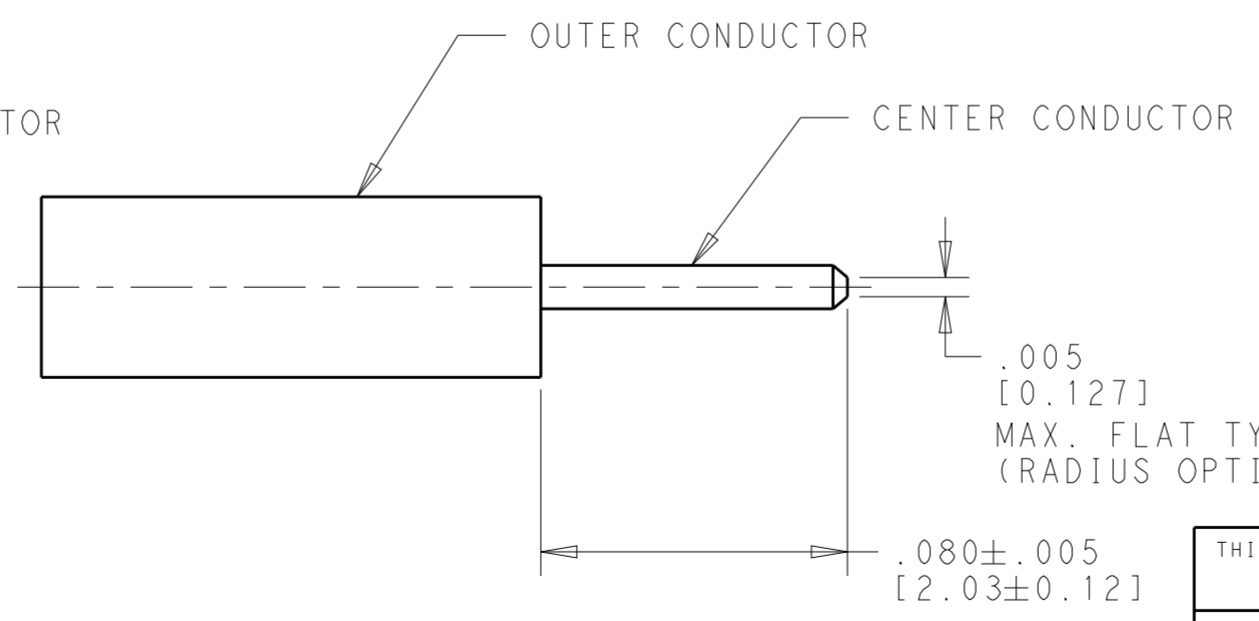
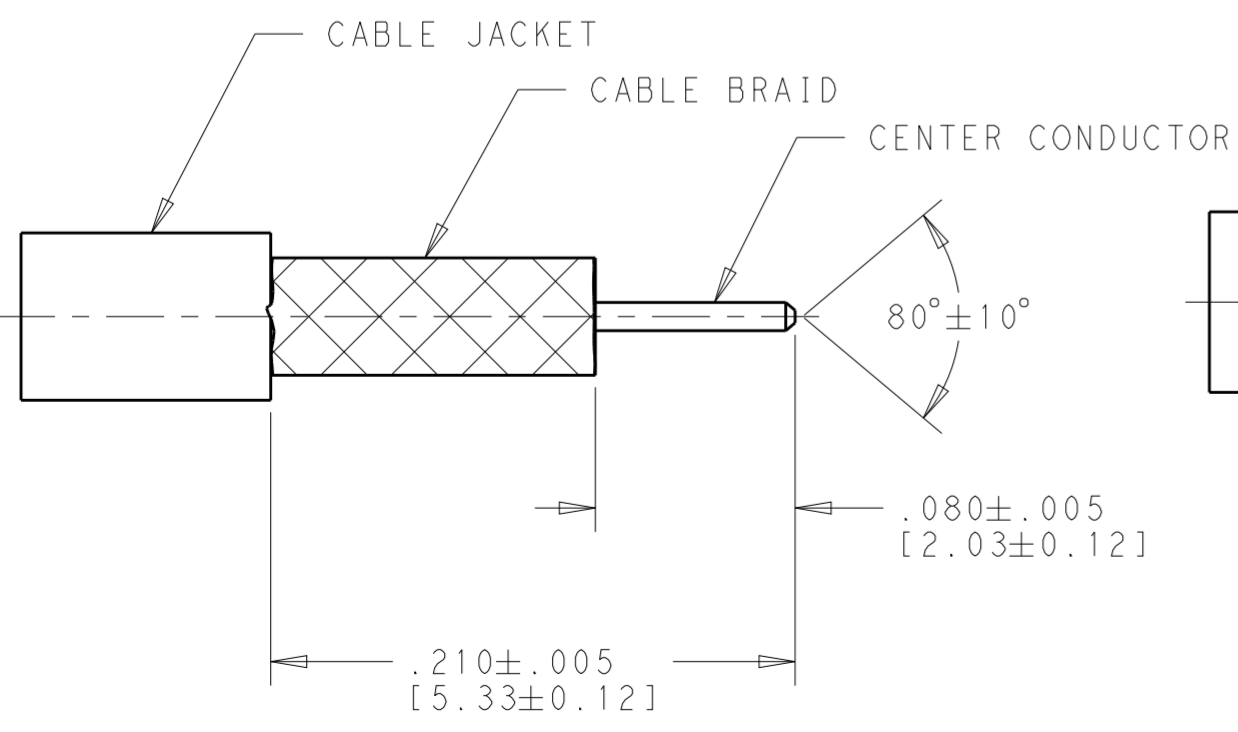
LOC		DIST		REVISIONS			
P	LTR	DESCRIPTION	DATE	DWN	APVD		
-	-	A	RELEASED PER ECO 13-014257	9-16-13	CT	WM	

- 1 MATERIAL:  
 BODY, OUTER CONTACT, RETAINING RING & CENTER CONTACT  
 BERYLIUM COPPER, ALLOY UNS C17300 CONDITION TDO4, PER ASTM B196.  
 INSULATOR - TEFLON (PTFE) ROD, PER ASTM D 1710.
- 2 FINISH:  
 BODY & CENTER CONTACT - GOLD PLATE, PER ASTM B488  
 OVER NICKEL PLATE PER, SAE-AMS-QQ-N-290  
 RETAINING RING - NICKEL PLATE PER, SAE-AMS-QQ-N-290
- 3 SMPM MALE SMOOTH BORE, PER MIL-STD-348,  
 EXCEPT AS NOTED.



CABLE PREPARATION  
 FOR Ø.047 FLEXIBLE CABLES

CABLE PREPARATION  
 FOR Ø.047 SEMI-RIGID & CONFORMABLE CABLES



2157248-1  
 PART  
 NUMBER

THIS DRAWING IS A CONTROLLED DOCUMENT.		DWN	S. T. Morley	06 JAN 2011	TE Connectivity
DIMENSIONS: INCHES [mm]		CHK	S. T. Morley	06 JAN 2011	
TOLERANCES UNLESS OTHERWISE SPECIFIED:		APVD	S. T. Morley	06 JAN 2011	
0 PLC ±.1 1 PLC ±.02 2 PLC ±.005 3 PLC ±. 4 PLC ±. ANGLES ±. FINISH 2		PRODUCT SPEC	NAME		
MATERIAL	1	APVD	S. T. Morley		NAME
		APPLICATION SPEC	-		SMPSM STRAIGHT CABLE PLUG (M) PANEL MOUNT - SOLDER ATTACHMENT FOR USE WITH .047 DIA. CABLE
		WEIGHT	-		SIZE
		Customer Drawing	SCALE 13:1		CAGE CODE
			SHEET 1 OF 1		DRAWING NO
			REV A		RESTRICTED TO